

Compact, lightweight, and powerful chain hoists.

# KITO CHAIN HOIST **Cx**

NEW!



**KITO**  
**WLL 0.5t**  
Equipped with OVERLOAD LIMITER  
CE  
SIZE: 100mm LIFTING CAPACITY: 500kg (1102 lbs)  
LIFTING HEIGHT: 1.5m (4.92m)  
SERIAL NO.:  
MFL NO.:  
MANUAL CHAIN HOIST  
TAMAGAWA 430-3000 Japan  
MADE IN JAPAN

**KITO**  
**WLL 0.25t**  
Equipped with OVERLOAD LIMITER  
CE  
SIZE: 60mm LIFTING CAPACITY: 250kg (551 lbs)  
LIFTING HEIGHT: 1.5m (4.92m)  
SERIAL NO.:  
MFL NO.:  
MANUAL CHAIN HOIST  
TAMAGAWA 430-3000 Japan  
MADE IN JAPAN

# Compact, Light weight and Simple design!

KITO CX series chain hoists are available in two types of rated load: 250 kg and 500 kg.

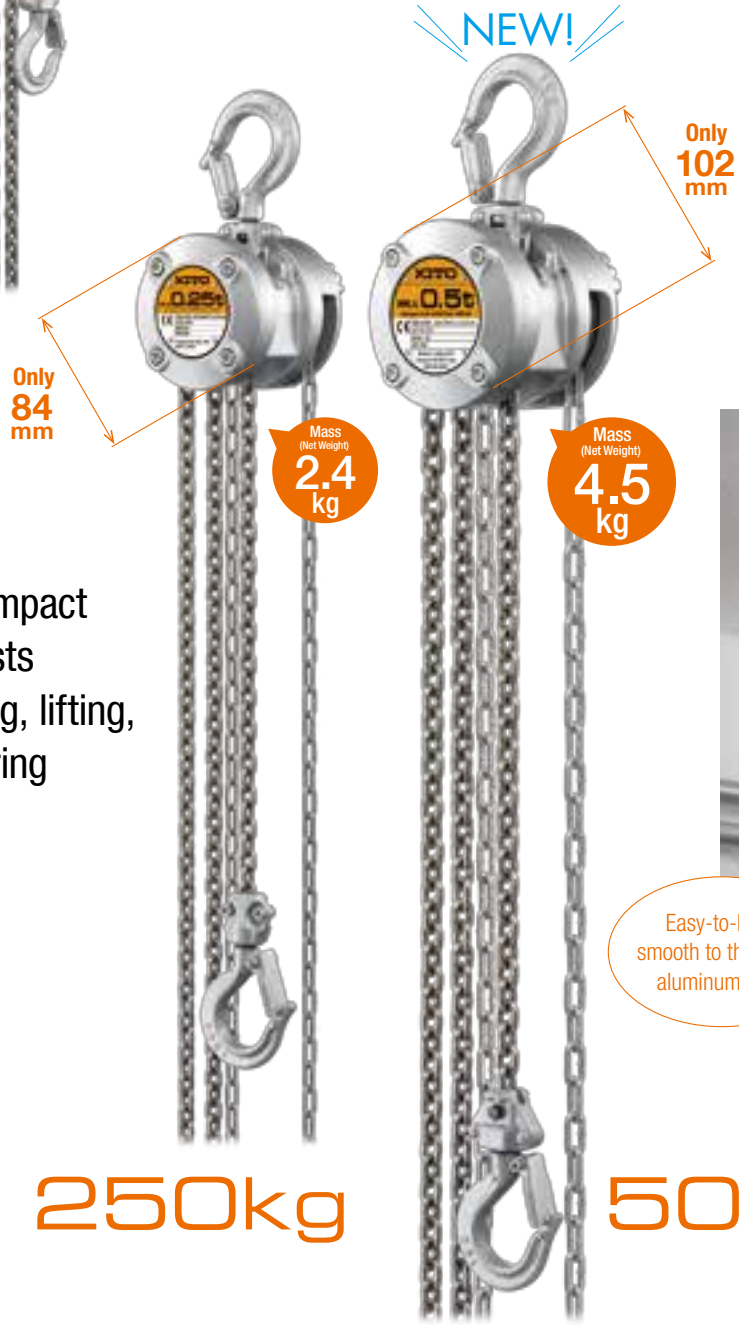
High portability to carry everywhere.

Easy and smooth operation with small hand-pull force.

Wide internal diameter of hooks expands the range of applications.



NEW!



Only 84 mm

Mass (Net Weight) 2.4 kg

Mass (Net Weight) 4.5 kg

Only 102 mm

Easy installation in higher positions! Wide internal diameter of hook for easier hookups!



Easy-to-hold, smooth to the touch aluminum body

Highly compact chain hoists for slinging, lifting, and lowering

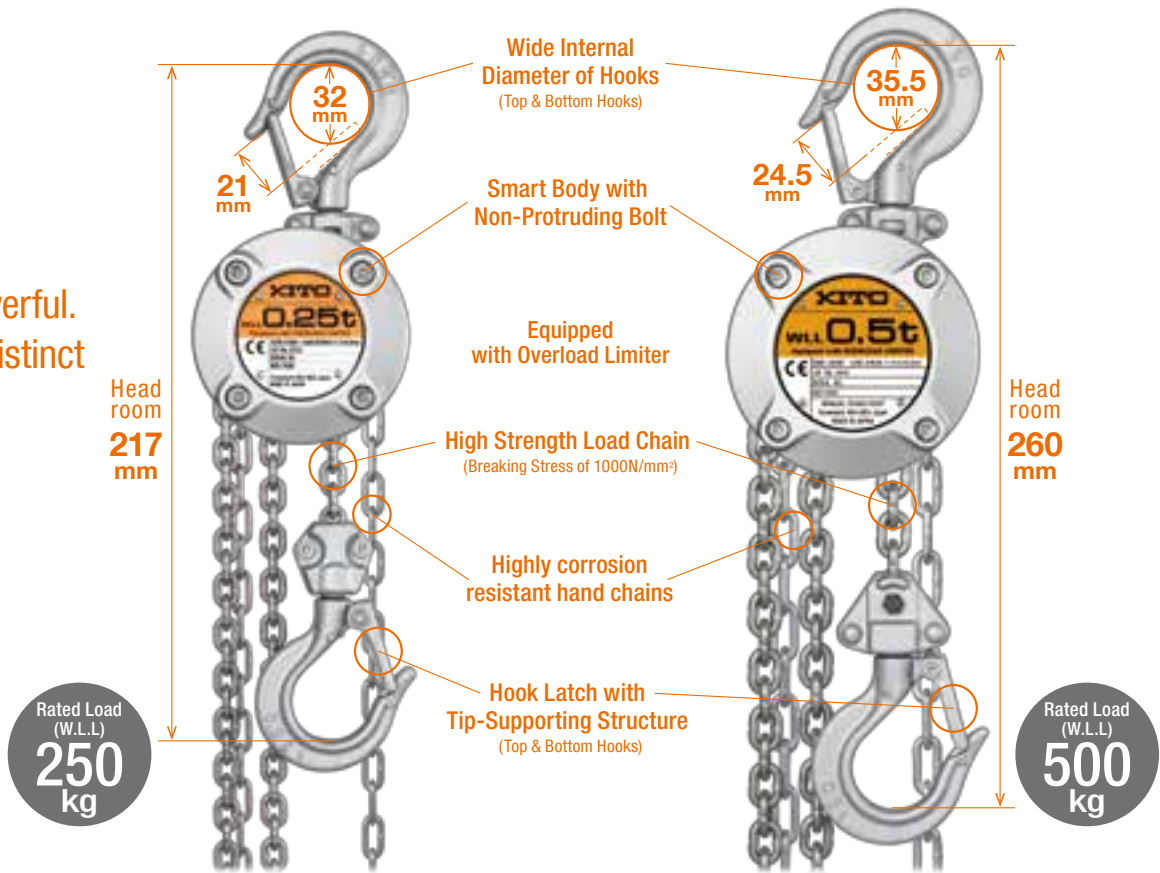
250kg

500kg



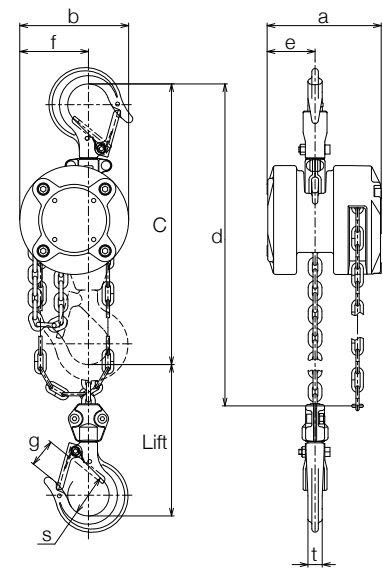


Compact but extremely powerful. Discover the distinct features of the CX series!



### Specifications and Dimensions

Rated load (W.L.L.)	(kg) [t]	250 [0.25]	500 [0.5]
Product Code		CX003	CX005
Standard lift	(m)	2.5	2.5
Standard Length of Hand Chain (Folded)	(m)	2	2.5
Pull to Lift Full Load *1	(N) [kgf]	147 [15]	187 [19]
Chain O'hauled to Lift Load One Meter	(m)	33.8	42.8
Load Chain Diameter (mm) x Chain Fall Lines	(mm)	3.2 x 1	4.3 x 1
Test Load	(kg)	313	625
Mass (Net Weight) *2	(kg)	2.4	4.5
Shipping weight	(kg)	2.6	4.8
Mass (Weight) for Additional One Meter of Lift	(kg/m)	0.4	0.9
Dimensions (mm)	a	88	103
	b	84	102
	C *3	217	260
	d *4	2100	2600
	e	37	44
	f	53	66
	g	21	24.5
	s	32	35.5
	t	11	12



\*1: Average pull to lift the rated load. \*2: The Mass (Net Weight) is for the standard lift.  
\*3: Head room \*4: Distance between the top hook and the lower end of the hand chain.

### Operating environmental conditions

Operating temperature range	Operating humidity range	Materials
-40°C to +60°C	Use the hoist at under 100%RH. This product cannot be used in water.	Standard materials are used. <b>Special materials such as sparkless materials and asbestos are not used.</b> With regard to the environmental load substances, 6 substances defined in the RoHS directives are not contained in this product.



# Another small but highly reliable product.

Feel the fastening!

Highly reliable pulling and lifting to the last click.

## KITO LEVER BLOCK™ **LX** 250kg/500kg

Two capacities available – the LX003

has a rated capacity of 250kg, and the LX005 has a rated capacity of 500kg.

Highly compact & light, these LX series hoists are suitable for work in tight quarters or elevated locations where fastening, fixing, or positioning of light loads is required.



### How they can be used together

Using "CX" and "LX" products together makes maintenance and other tasks carried out in tight spaces a breeze.

**CX&LX**  
Small but the most powerful team



Load fastening

Tension

Lifting/ lowering

Anchoring

Positioning

Distortion correction

Alignment of structures

Other load handling

- The functions and performance of the products mentioned in the catalog have been designed based on the related regulations and standards. If they are used for other than their intended purposes such as being integrated into your equipment, we will not take any responsibility for accidents attributable to their unintended usages as well as guarantee their performance and functions. Never remodel our products.
- When you want to use our products for special purposes, consult us in advance.
- When you want to export our products, consult us in advance. There are different standards and regulations from one destination to another.
- It is prohibited to reprint, copy or divert all the information in this catalog (product patents, trademarks, photos, designs, copies, illustrations, etc.) without our consent.
- The specifications in this catalog are partly subject to change without prior notice.
- Product specifications may vary depending on the country. For more details please contact the nearest KITO dealer.

# KITO

KITO CORPORATION

SHINJUKU NS Bldg. 9F, 2-4-1 Nishi-Shinjuku, Shinjuku-ku, Tokyo 163-0809 JAPAN

TEL: +81-3-5908-0180 FAX: +81-3-5908-0189

www.kito.co.jp/en KITO Global Website: kito.com

Distributed by:

